

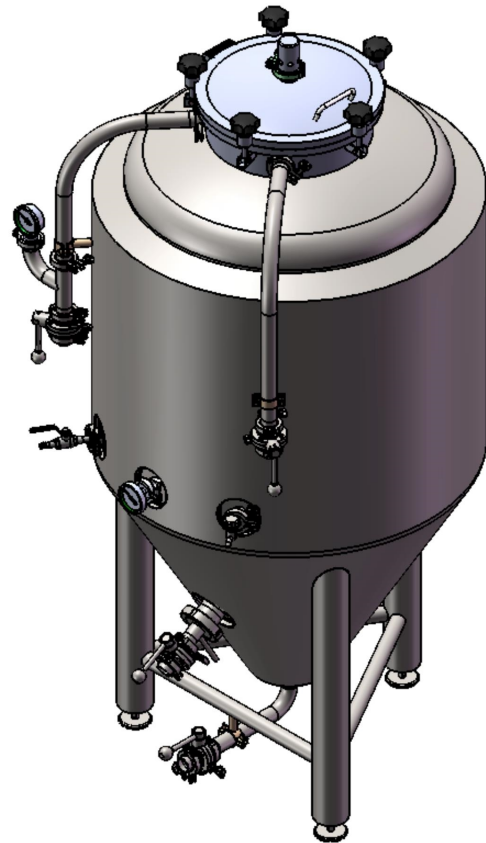
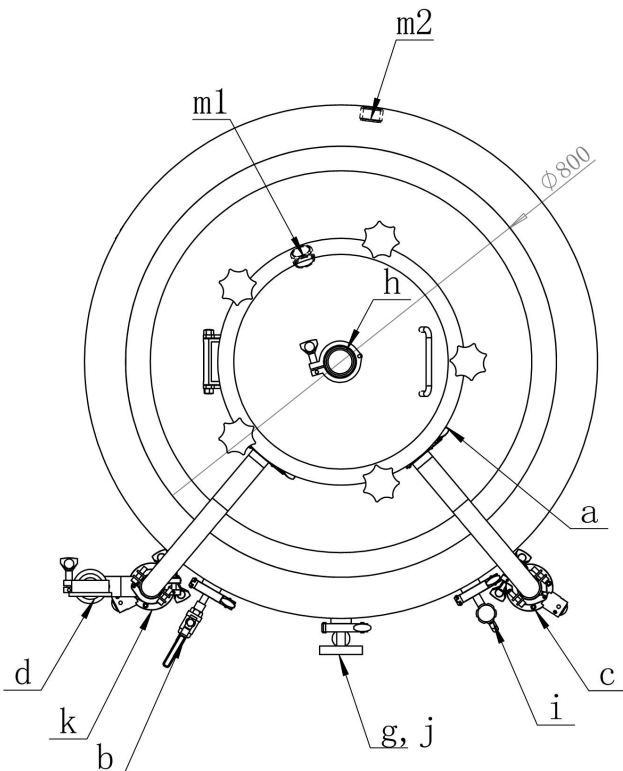
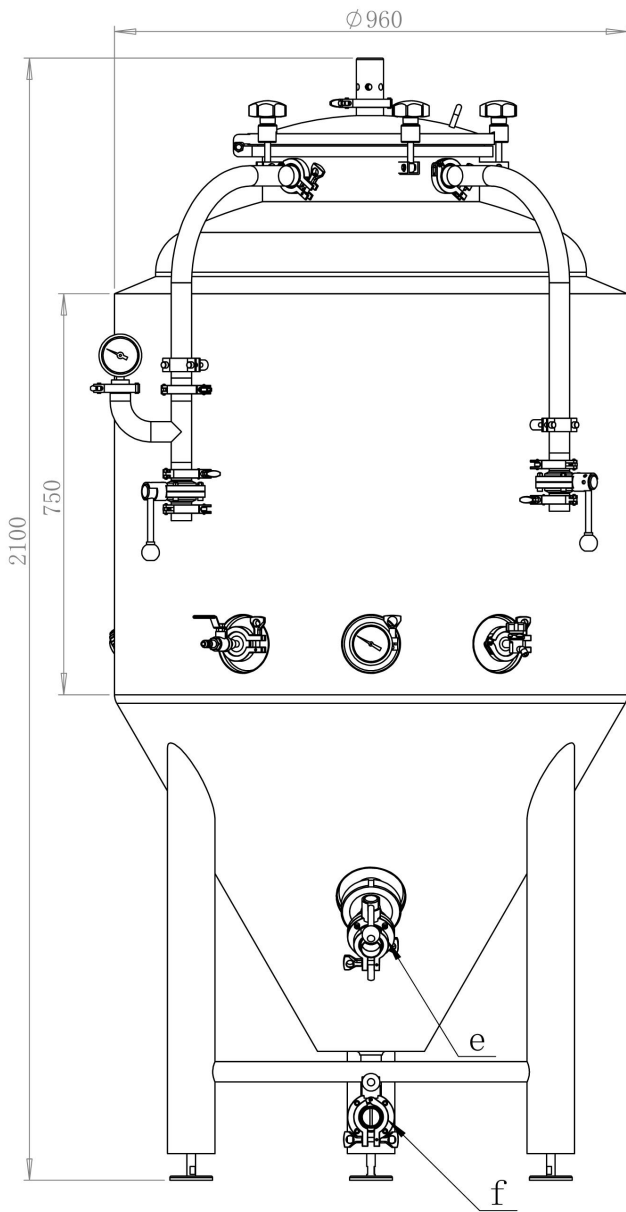
DESIGN DATA SHEET

DESIGN PARAMETERS

CONTAINER CLASS		PRESSURE	
		CONTAINER	JACKET
PARAMETER NAME			
WORKING PRESSURE	Mpa	0.1	0.3
DESIGN PRESSURE	Mpa	0.2	0.4
WORKING TEMPERATURE	°C	-5~110°C	
DESIGN TEMPERATURE	°C	-5~110°C	
MEDIUM		BEER	GLYCOL
MEDIUM DENSITY	Kg/m ³		
MATERIAL		304	304
FULL VOLUME	HL	5	
EFFECTIVE VOLUME	BBL	3.5	
SAFETY VALVE ACT PRESSURE	Mpa	0.1	/
HEAT TRANSFER AREA	m ²		
INSULATION MATERIAL		PU	
INSULATION THICKNESS	mm	80	
PRESSURE TEST	Mpa	0.2	0.6
AIR-TIGHTNESS TEST	Mpa		

TABLE

NO.	NAME	CONNECT SIZE	CONNECT TYPE	REMARKS
a	YAB-MANHOLE	Φ400	Q-OPEN	
b	CO2-INLET	Φ38.1X1.65	CLAMP	
c	CIP-INLET	Φ38.1X1.65	CLAMP	
d	PRE-GAGE	Φ38.1X1.65	CLAMP	
e	BEER OUT	Φ38.1X1.65	CLAMP	
f	YEAST-OUT	Φ38.1X1.65	CLAMP	
g	TEM-GAGE	Φ38.1X1.65	CLAMP	
h	SAFE VALVE	Φ38.1X1.65	CLAMP	
i	SAMPLE VALVE	Φ38.1X1.65	CLAMP	
j	TEM-SENSOR			
k	OVER FLOW	Φ38.1X1.65	CLAMP	
m1-2	GLYCOL	NPT3/4"	SCREW	



PART NAME					
3.5BBL FER					
DRAW		2021-03-31	SCALE	1:10	TOTAL 1 PAGE 1
VERIFY			PROJECTION		PART NO.
CONFIRM			WEIGHT	500 Kg	